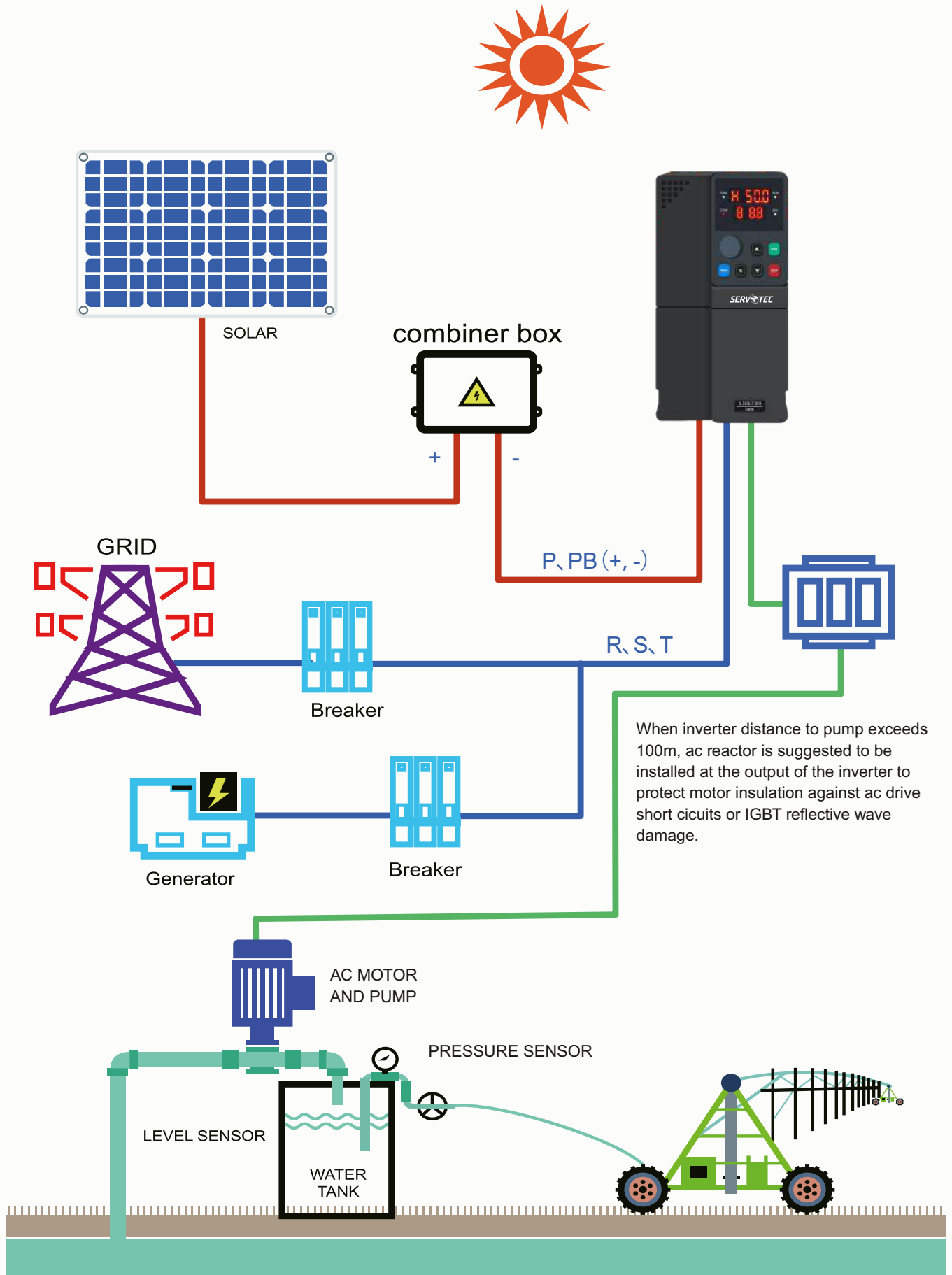


Sunfarm series

VFD-Solar Pump Controller



Model Reference



Technical Specifications

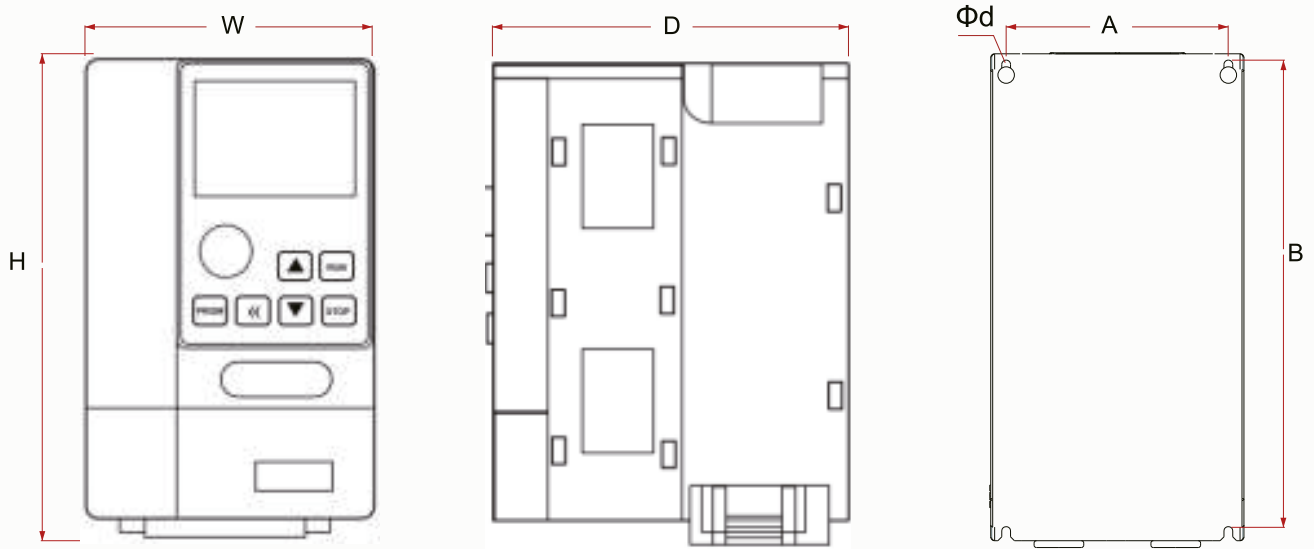
Output Voltage	220V	380V
Max input DC voltage(VOC)	400V	800V
DC voltage range	150V -400V	250V -800V
Recommended DC input voltage range(Vmpp)	250V -350V	450V -650V
Recommended input operation voltage	320V (Vmpp)	5 (Vmpp)
MPPT efficiency	>99%	
Rated output voltage	1/3-phase 220VAC	3-phase 380V-480V VAC
Output frequency range	50/60Hz(maximum500Hz)	
Max efficiency of the machine	99%	
Ambient temperature range	-10 °C-40°C, derating if the temperature is above 40 °C	
Cooling method	Air cooling	
Protection degree	IP20/P21	
Altitude	Below 1000m; above 1% for every additional 100m.	

Model Range

NO	Power	Dimension(mm)			Installation Size(mm)		Hole Φ
		W	D	H	W1	H1	
ST-A00	0.75-2.2KW/220V 0.75-2.2KW/380V	170	86	141	157	75	5MM
ST-A01	4-5.5KW/380V	188	96	171	176	83.6	5MM
ST-A02	7.5-11KW	228	114	192	214.5	98.7	5MM
ST-A03	15-18.5KW	290	160	182	269	143	6.5MM
ST-A04	22-30KW	328	193	217	305	172	8.5MM
ST-A05	37-45KW	344	228	223	324	206	8.5MM
ST-A06	55KW	490	327.5	238	459	202.5	10MM
ST-A07	75-93KW	526	300	304	504	200	9MM
ST-A08	110-132KW	690	370	360	636.5	232	10MM
ST-A09	160-220KW	720	410	360	690	330	10MM
ST-A10	250-315KW	1060	650	392.5	1030	420	12MM
ST-A11	355-500KW	1361.5	818	404.5	1280	520	16MM

*Due to product upgrade, size update without prior notice, Consult staff for details.

Product Size



LED & LCD Keypad

1. Standard LED keypad, LCD keypad optional. Both can monitor 2 parameters at the same time
2. Copy keypad optional. It can copy parameters from one inverter to another. Inverters must be of the same model